

PARTS MANUAL

**CHALLENGER
H1050HD-CH, H1150HD-CH
(F117)**

CUSTOMER EDITION

HYSTER

SECTIONS

1	FRAME
2	ENGINE ASSEMBLY
3	FUEL SYSTEM
4	ELECTRICAL SYSTEM
5	TRANSMISSION
6	DRIVE AXLE
7	STEERING SYSTEM
8	BRAKE SYSTEM
9	HYDRAULIC SYSTEM
10	MAST WITH CONTAINER HANDLER
11	ATTACHMENTS
12	OPTIONS
13	FIELD CONVERSION KITS
14	NUMERICAL INDEX

This Parts Manual is divided into 14 major sections which are listed above. Quick reference to these sections can be made by placing the right thumb on the tab of the desired section, bending the book back and thumbing the pages to the corresponding tab.

**Thanks very much for your reading,
Want to get more information,
Please click here, Then get the complete
manual**

JustClickHere 

NOTE:

**If there is no response to click on the link above,
please download the PDF document first, and then
click on it.**

**Have any questions please write to me:
admin@servicemanualperfect.com**

TABLE OF CONTENTS

DESCRIPTION	PAGE
Numbers/Symbols	
3-POINT SEAT BELT	12-28
A	
ACCESSORY DRIVE PULLEY	
→ S/N F117E01646F	2-7
S/N F117E01647F →	2-8
ACCUMULATOR	
BRAKE	9-36
ACCUMULATOR AND ATTACHING PARTS	
LIFT	9-33
AIR CLEANER PLUMBING	2-43
AIR COMPRESSOR AND HOSES	
MCC (S/N F117E01647F →)	1-100
AIR CONDITIONER	
CLIMATE CONTROL CAB - MCC	1-128
WITH TWO-FAN CONDENSER SYSTEM - MCC	1-82
AIR CONDITIONER ASSEMBLY	
WITH TWO-FAN CONDENSER SYSTEM - MCC	1-88
AIR CONDITIONER SYSTEM	
CLIMATE CONTROL CAB - MCC	1-126
WITH TWO-FAN CONDENSER SYSTEM - MCC	1-80
AIR CONDITIONING SYSTEM	
CONDENSER - AURORA	1-102
MCC AND AURORA	1-98
AIR DUCT	
LOUVER, CLIMATE CONTROL CAB	1-120
AIR DUCT ASSEMBLY	
AIR CONDITIONING - WITH TWO-FAN CONDENSER SYSTEM, MCC	1-86
HEATER - WITH TWO-FAN CONDENSER SYSTEM, MCC	1-94
AIR FILTER ASSEMBLY	2-42
AIR FILTER SYSTEM	2-40
AIR HORN	1-116
AIR TRANSFER CONNECTION	2-44
ALTERNATOR	4-26
ALTERNATOR DRIVE PULLEY	4-30
ALTERNATOR MOUNTING	4-28
ARMREST ASSEMBLY	1-114
ARMREST SWITCHES	
HYDRAULIC LEVERS	4-17
JOYSTICK	4-18
AXLE HOUSING	6-2
B	
BACK-UP ALARM	12-14
BRAKE AND INCHING PEDAL LINKAGE	8-8
BRAKE ASSEMBLY	
SERVICE BRAKES - WET BRAKE (S/N F117E01547D → (TE-27)) (S/N F117E01546D → (TE-32))	
.....	8-6

TABLE OF CONTENTS (continued)

DESCRIPTION	PAGE
BRAKE SYSTEM	8-2
BRAKE TEMPERATURE SWITCH KIT	13-2
BRAKE VALVE AND ATTACHING PARTS	8-10
ALTERNATE CONFIGURATION	8-12
BREATHER PLUMBING	2-45
BUMPERS	11-18
C	
CAB	
ATTACHING PARTS	1-18
DOOR - ATTACHING PARTS	1-26
FLOORMATS	1-38
MAIN DOOR WINDOW - RIGHT AND LEFT HAND	1-24
MOUNTING	1-40
PANELS	1-42
SOUND REDUCTION	1-44
SUNSHADE - TOP	1-45
SUNSHADE - REAR	1-46
WINDOW INSTALLATION	1-48
CAB ASSEMBLY	
CLIMATE CONTROL CAB	1-130
CAB DOOR	
LEFT HAND	1-22
RIGHT HAND	1-20
CAB RECIRCULATING FAN	12-11
CAM FOLLOWER LEVERS	2-16
CAMSHAFT	2-15
CLIMATE CONTROL SYSTEM	
MCC	1-124
COMPRESSOR MOUNTING	
S/N F117E01647F →	2-56
CONDENSER ASSEMBLY	
24V	1-136
TWO-FAN SYSTEM - MCC	1-84
CONSOLE	
INDICATOR DISPLAY AND CONTROLS	4-10
CONTROL PANEL	
AIR CONDITIONER	4-14
HEATER	4-12
CONTROL PANEL ASSEMBLY	
WITH TWO-FAN CONDENSER SYSTEM - MCC	1-90
CONTROL VALVE ASSEMBLY	
AUXILIARY	9-26
CAP AND SUPPORT KIT	9-32
LIFT	9-28
LIFT AND TILT	9-30
COOLANT HEATER STARTING AID	2-46
COOLING	2-84
CORROSION RESISTER	2-86

TABLE OF CONTENTS (continued)

DESCRIPTION	PAGE
COUNTERWEIGHT	1-13
COVERS	
→ S/N F117E01699H	1-4
S/N F117E01700H →	1-6
CRANKSHAFT	2-35
CYLINDER	
POWER PILE SLOPE	11-17
CYLINDER BLOCK	2-26
CYLINDER BLOCK PLUMBING	2-33
CYLINDER HEAD	2-24
CYLINDER LINER	2-28
D	
DASH AND AIR DUCT ASSEMBLY	
CAB	1-50
DC-DC CONVERTER AND ATTACHING PARTS	4-16
DELUXE SUSPENSION SEAT	1-52
DIFFERENTIAL AND CARRIER	6-4
ALTERNATE PART	6-8
DRIVE AXLE CONVERSION KIT	13-2
DRIVE TIRES AND WHEELS	
18.00 X 33	12-22
DRIVE TRAIN	
FRONT	2-59
DUST SHIELD	1-8
E	
ELECTRICAL ACCESSORIES	4-22
ELECTRICAL SYSTEM	4-4
EMPTY SEAT ENGINE SHUTDOWN	
3/2010 →	12-25
EMPTY SEAT ENGINE SHUTDOWN OVERRIDE	13-2
ENGINE	
CRANKSHAFT AND MAIN BEARINGS	2-36
CRANKSHAFT AND MAIN BEARINGS - OPTIONAL	2-38
ENGINE ASSEMBLY	2-6
ENGINE BLOCK HEATER 240V	
S/N F117E01595H →	12-26
ENGINE CONTROL SYSTEM	4-20
ENGINE MOUNTS	2-4
EXHAUST	2-94
EXHAUST MANIFOLD	2-96
EXHAUST OUTLET CONNECTION	2-98
F	
FAN DRIVE AND SPACER	2-20
FLOORPLATES, STEPS, AND RAILS	1-10
FLOW AMPLIFIER	
→ S/N F117E01586E	9-58
S/N F117E01587E →	9-60

TABLE OF CONTENTS (continued)

DESCRIPTION	PAGE
FLYWHEEL	2-60
FLYWHEEL HOUSING	2-62
FRONT ENGINE SUPPORT	2-100
FRONT GEAR COVER	2-76
FRONT, BRAKE/BACK-UP, AND REAR WORK LIGHTS	12-4
FUEL FILTER AND WATER SEPARATOR	3-20
FUEL FILTER PLUMBING	3-18
FUEL INJECTOR	3-16
FUEL PUMP ASSEMBLY	3-10
FUEL PUMP COUPLING	3-12
FUEL PUMP DRIVE	3-7
FUEL PUMP INTAKE FITTING	3-9
FUEL PUMP PLUMBING	3-14
FUEL SYSTEM	
→ S/N F117E01660F	3-2
S/N F117E01661F →	3-4
FUSE BOX	
SEALED	4-38
G	
GANTRY CARRIAGE	
WITH MECHANICAL PILE SLOPE	11-10
WITH POWER PILE SLOPE	11-14
GEAR HOUSING	2-74
H	
HAND HOLE COVER	
S/N F117E01647F →	2-102
HAND LEVER INSTALLATION	9-68
HANGER ASSEMBLY	11-13
HEADER HOSE	
→ S/N F117E01621F	11-2
S/N F117E01622F →	11-6
HEATED TOP WINDOW	12-24
HEATER AND AIR CONDITIONER ASSEMBLY	
WITH THREE-FAN CONDENSER SYSTEM - AURORA	1-108
HEATER AND AIR CONDITIONER MOUNTING	
WITH THREE-FAN CONDENSER SYSTEM - AURORA	1-110
HEATER AND AIR DUCT	
WITH TWO-FAN CONDENSER SYSTEM - MCC	1-91
HEATER ASSEMBLY	
WITH THREE-FAN CONDENSER SYSTEM - AURORA	1-106
WITH TWO-FAN CONDENSER SYSTEM - MCC	1-96
HEATER HOSE ARRANGEMENT	1-104
HEATER SYSTEM	
WITH TWO-FAN CONDENSER SYSTEM - MCC	1-92
HUB AND SHAFT	
→ 10/2010	6-12
10/2010 →	6-16

TABLE OF CONTENTS (continued)

DESCRIPTION	PAGE
HYDRAULIC PUMP	
MAIN	9-54
HYDRAULIC SUPPLY AND RETURN	
SHEET 1 OF 2 (→ S/N F117E01614F)	9-2
SHEET 1 OF 2 (S/N F117E01615F →)	9-6
SHEET 2 OF 2	9-10
HYDRAULIC SYSTEM	
LIFT AND TILT (→ 11/2009)	9-18
LIFT AND TILT (11/2009 →)	9-20
HYDRAULIC TANK AND ATTACHING PARTS	9-14
HYDRAULIC VALVES AND ATTACHING PARTS	
→ S/N F117E01723J	9-22
I	
IDLER GEAR	2-22
INSULATION MATS AND AIR DUCT	
CLIMATE CONTROL CAB	1-118
INTAKE CONNECTOR	
AIR COMPRESSOR	2-58
INTAKE MANIFOLD	2-92
J	
JOYSTICK ASSEMBLY	9-64
JOYSTICK INSTALLATION	9-62
L	
LABELS	1-112
LIFT CYLINDER	
12650 MM (498.0 IN.) LIFT HEIGHT	10-8
7010 MM (275.9 IN.), AND 9754 MM (384.0 IN.) LIFT HEIGHT	10-6
LIFTING BRACKET	2-9
LIGHT BAR AND MOUNT	
TWISTLOCK MODULE	4-36
LOUVER - HEAVY DUTY AIRCO	13-2
M	
MAIN MANIFOLD	
→ S/N F117E01500C	9-38
S/N F117E01501C ↔ 4/2010	9-40
4/2010 ↔ S/N F117E01723J	9-42
MAIN MANIFOLD AND ATTACHING PARTS	
S/N F117E01724J →	9-44
MAIN MANIFOLD ASSEMBLY	
PAGE 1 OF 2 (S/N F117E01724J →)	9-46
PAGE 2 OF 2 (S/N F117E01724J →)	9-48
MAIN WINDOW ASSEMBLY	1-28
MANIFOLD	
CAB	9-52
LIFT AND TILT	9-50
MAP LIGHT	12-10

TABLE OF CONTENTS (continued)

DESCRIPTION	PAGE
MAST ASSEMBLY	
WITH GANTRY CARRIAGE	10-2
MAST HOSE SHEAVE KIT	13-2
MAST INSTALLATION	10-10
MIRRORS	
FRONT FENDER	1-14
N	
NOISE PANEL	2-99
O	
OIL COOLER WATER PLUMBING	2-69
OIL FILLER ARRANGEMENT	2-66
OIL FILTER	2-68
OIL FILTER AND COOLER HEAD	2-64
OIL LEVEL GAUGE	2-67
OIL PAN	
→ S/N F117E01579E (335 HP ENGINE) → S/N F117E01569E 300 HP ENGINE	2-78
S/N F117E01570E → (300 HP ENGINE) S/N F117E01580E → 335 HP ENGINE	2-80
OIL PUMP AND ATTACHING PARTS	2-82
OPTIONAL MOUNTING EQUIPMENT (HANDLE)	12-2
OVERHEAD GUARD	
WIRE MESH	1-16
P	
PARK BRAKE ASSEMBLY	6-20
PARK BRAKE KIT	13-2
PILOT VALVE ASSEMBLY	
JOYSTICK	9-66
PISTON AND CONNECTING ROD	2-30
PISTON COOLING NOZZLE	2-32
PROXIMITY SWITCH	4-124
R	
RADIATOR ASSEMBLY	2-88
RADIATOR PLUMBING	2-90
RADIO CONSOLE AND ATTACHING PARTS	1-134
RELAYS AND FUSES	
OPERATOR COMPARTMENT (→ 3/2010)	4-40
OPERATOR COMPARTMENT (3/2010 →)	4-44
ROCKER LEVERS	2-18
ROTATING BEACON	12-12
S	
SEAT	
PIVOT ARM ASSEMBLY	1-78
SEAT AND SUSPENSION MOUNTING	1-67
SEAT ASSEMBLY	
CLIMATE CONTROL CAB	1-122
WITH FABRIC COVER (→ 3/2010)	1-56

TABLE OF CONTENTS (continued)

DESCRIPTION	PAGE
WITH FABRIC COVER (3/2010 →)	1-60
WITH VINYL COVER	1-64
SEAT SUSPENSION ASSEMBLY	
AIR	1-74
MECHANICAL	1-70
SECOND 12V SOCKET OPTION	
CLIMATE CONTROL CAB	4-120
SECONDARY HYDRAULIC PUMP	
STEERING	9-56
SOLENOID VALVE	9-74
SPEED LIMITING	
GANTRY CARRIAGE	4-122
STAIR LIGHT	12-8
START AID	4-119
STARTER MOTOR	
→ S/N F117E01673F	4-34
S/N F117E01674F →	4-35
STEER COLUMN ASSEMBLY	7-10
STEERING AXLE AND ATTACHING PARTS	7-2
STEERING AXLE ASSEMBLY	7-4
STEERING COLUMN	7-12
STEERING COLUMN AND ATTACHING PARTS	7-8
STEERING CONTROL UNIT	7-14
STEERING CONTROL VALVE	7-16
STEERING CYLINDER	
→ S/N F117E01732J	7-6
S/N F117E01733J →	7-7
SUSPENSION KIT ASSEMBLY	1-54
T	
TELEMETRY KITS	13-2
THERMOSTAT	2-14
THERMOSTAT HOUSING	2-12
THROTTLE PEDAL LINKAGE	3-22
TILT CYLINDERS	9-72
TILT CYLINDERS AND ATTACHING PARTS	9-70
TIRES AND WHEELS	
DRIVE - 18.00 X 25	12-16
DRIVE AND STEER - 18.00 X 33 X 36 PLY	12-20
STEER - 16.00 X 25 AND 18.00 X 25	12-18
TRAINING SEAT	1-132
TRANSMISSION	
ASSEMBLY	5-10
CASE AND REAR COVER	5-18
CONTROL VALVE ASSEMBLY	5-50
CONTROL VALVE MOUNTING	5-48
FIRST SPEED CLUTCH SHAFT	5-28
FIRST SPEED GEARS	5-26
FIRST SPEED SHAFT AND IDLER GEAR	5-27

TABLE OF CONTENTS (continued)

DESCRIPTION	PAGE
FORWARD CLUTCH SHAFT	5-22
FORWARD, REVERSE AND SECOND, - AND THIRD OR FOURTH CLUTCH SHAFTS	5-21
FOURTH SPEED CLUTCH SHAFT	5-36
INPUT DRIVE GEARS	5-14
LINES AND ATTACHING PARTS (→ S/N F117E01677G)	5-2
LINES AND ATTACHING PARTS (S/N F117E01678G →)	5-6
OUTPUT SHAFT	5-38
PUMP DRIVE	5-12
REGULATOR VALVE AND HYDRAULIC PUMP ARRANGEMENT	5-40
REMOTE FILTER AND ADAPTOR	5-54
REVERSE AND SECOND CLUTCH SHAFT	5-24
SPEED SENSORS	5-20
THIRD SPEED CLUTCH SHAFT	5-32
THIRD SPEED GEARS	5-31
TORQUE CONVERTER AND DRIVE PLATE	5-42
TORQUE CONVERTER HOUSING	5-44
TURBINE SHAFT, STATOR SUPPORT, AND OIL BAFFLE	5-16
UNIVERSAL SHAFT	5-56
TRANSMISSION CONTROLLER AND SHIFT LEVER	4-8
TURBOCHARGER	
→ S/N F117E01646F	2-48
S/N F117E01647F →	2-52
TURBOCHARGER PLUMBING	2-54
V	
VALVE COVER	2-10
VIBRATION DAMPER	2-83
W	
WATER COOLED TURBOCHARGER	13-2
WATER PUMP	
→ S/N F117E01646F	2-70
S/N F117E01647F →	2-72
WINDOW WIPER SYSTEM	
REAR AND ROOF WIPER KITS - AND FRONT WIPER OPTIONS (S/N F117E01647F →)	1-36
SHEET 1 OF 2 (→ S/N F117E01646F)	1-30
SHEET 2 OF 2 (→ S/N F117E01646F)	1-32
WASHER BOTTLE KIT (S/N F117E01647F →)	1-34
WIRE HARNESS	
ADD-ON SPEED LIMITING	4-128
ARMREST	4-108
CAB LIGHT	4-94
CHASSIS - SHEET 1 OF 2 (→ S/N F117E01610F)	4-70
CHASSIS - SHEET 2 OF 2 (→ S/N F117E01610F)	4-74
CHASSIS - SHEET 1 OF 2 (S/N F117E01611F →)	4-78
CHASSIS - SHEET 2 OF 2 (S/N F117E01611F →)	4-82
CLOSED CAB	4-90
CLOSED CAB	4-116
EXTENSION (S/N F117E01647F →)	4-68

TABLE OF CONTENTS (continued)

DESCRIPTION	PAGE
FRONT LIGHTS	4-112
FRONT LIGHTS - ALTERNATE PART	4-114
HYDRAULIC LEVERS SWITCHES	4-131
JOYSTICK	4-110
LIGHT SWITCH	4-88
MAST (→ S/N F117E01610F)	4-31
MAST (S/N F117E01611F →)	4-32
POWER PILE SLOPE (→ S/N F117E01610F)	4-86
POWERTRAIN (→ S/N F117E01610F)	4-100
POWERTRAIN (S/N F117E01611F →)	4-104
PROXIMITY SWITCH - GANTRY	4-125
PROXIMITY SWITCH - LIFT AND TILT	4-126
REAR	4-67
REAR WIPER EXTENSION	4-93
SIDE CONSOLE - SHEET 1 OF 2 (→ 3/2010)	4-48
SIDE CONSOLE - SHEET 2 OF 2 (→ 3/2010)	4-54
SIDE CONSOLE - SHEET 1 OF 2 (3/2010 →)	4-58
SIDE CONSOLE - SHEET 2 OF 2 (3/2010 →)	4-64
STAIR LIGHT	4-87
STEERING COLUMN	4-96
UNDER FLOOR	4-98
WINDOW WASH PUMPS (→ S/N F117E01646F)	4-121
WIRING ACCESSORIES	
ELECTRONIC CONTROL MODULE	4-24

ABBREVIATIONS QUICK REFERENCE SHEET

Listed below are abbreviations used in parts manuals to denote the following expressions:

TERM	DEFINITION	TERM	DEFINITION
Amp	Amperes	FRE	Freezer Environment
AR	As Required	in.	inches
BDI	Battery Discharge Indicators	LPG	Liquefied Petroleum Gas
BWI	Brush Wear Indicator	MAP	Manifold Absolute Pressure
CE	Communicator End	mm	millimeters
CRE	Corrosive Environment	MSTS	Microprocessor Spark Timing System
D/B	Date Break	NPT	National Pipe Threads
dbA	Decibel "A" Scale	O/S	Oversize
DE	Drive End	PTO	Power Take Off
ECH	Empty Container Handler	RPM	Revolutions per Minute
ECH-3	Empty Container Handler - 3 High Stacking	S/N	Serial Number
ECH-4	Empty Container Handler - 4 High Stacking	TMM	Truck Management Module
ECH-5	Empty Container Handler - 5 High Stacking	UL Type D	Diesel-Powered Safety Rating
ECH-6	Empty Container Handler - 6 High Stacking	UL Type DS	Diesel-Powered Safety Rating
ECH-7	Empty Container Handler - 7 High Stacking	UL Type E	Battery-Powered Safety Rating
ECM	Electronic Control Module	UL Type EE	Battery-Powered Safety Rating
ECN	Engineering Change Notice	UL Type ES	Battery-Powered Safety Rating
EEPROM	Electrically Erasable Programmable Read Only Memory	UL Type G	Gasoline-Powered Safety Rating
EPA	US Environmental Protection Agency	UL Type GS	Gasoline-Powered Safety Rating
EPROM	Electrically Programmable Read Only Memory	UL Type LP	Gas-Powered Safety Rating
		UL Type LPS	LP Gas-Powered Safety Rating
		U/S	Undersize
		UL	Underwriters Laboratory
		V	Volts

HOW TO USE THE ILLUSTRATED PARTS MANUAL

This parts manual describes and illustrates assemblies, subassemblies, and detail parts needed for service replacement.

The different constructions are indicated by keys and footnotes. The callouts correspond to descriptions found on the next page.

HYSTER UNIT CODE D001 NORTH AMERICA 06/2001

TABLE OF CONTENTS

DESCRIPTION	PAGE
AIR INTAKE AND FILTER DIESEL (→ D/B 11/98).....	3-22
AIR INTAKE AND FILTER DIESEL (D/B 11/96 →).....	
AIR INTAKE AND FILTER GASOLINE AND LPG.....	
ALTERNATOR GASOLINE, LPG, AND DIESEL.....	
ALTERNATOR TYPES GS, LPS, AND DS.....	
AUXILIARY FUNCTION TUBE TWO AND THREE STAGE FULL F.....	

SECTION 13 NUMERICAL INDEX

PART NO.	PAGE NO.	ITEM NO.	PART NO.	PAGE NO.	ITEM NO.	PART NO.	PAGE NO.	ITEM NO.	PART NO.	PAGE NO.	ITEM NO.
142	3-4	19	10-13	25	11-27	29	12-31	12	16719	3-36	5
12445	3-32	19	10-17	6	11-31	25	16751	3-16	16849	3-34	21
	3-34	1	10-27	11	11-32	37	16849	3-36	16849	3-36	20
			11	6	8-4	29	16863	3-28	16863	3-28	17
			11	11	8-4	45	16865	3-6	16865	3-6	18
			12	6	9-7	9	16882	4-27	16882	4-27	41
			12	13	9-7	19		9-7		9-7	30
			13	17	9-11	9		9-11		9-11	27
			9	10	9-11	17		10-10		10-10	36
			23	46	10-9	21		10-13		10-13	32
			27	46	10-9	28		11-7		11-7	24
			26	14	10-13	16		11-9		11-9	17
			28	14	11-7	19					
			50	14							

SECTIONS

- 1
- 2
- 3
- 4
- 5 BRAKE/ACC
- 6
- 7 MAST-TWO STAG
- 8 MAST-THREE ST
- 9 MAST-TWO ST
- 10
- 11

TRANSMISSION HOUSING
S/N D001H-2628

KEY:
A: Diesel
B: Gasoline and LPG

ITEM	PART NO.	DESCRIPTION	QTY	
			A	B
		Transmission	1	1
	2022547	Transmission	1	1
	2023329	Case	2	2
1	2021670	Bearing Cap	4	4
2	2023418	Washer	1	1
3	296429	Bolt	2	2
4	293947	Cover	2	2
5	2021390	Colter Pin	4	4
6	1371656	O-Ring	1	1
7	2021329	Plug	4	4
8	2021915	Housing	22	22
9	2021675	Pin	39	39
10	2021336	Bolt	1	1
11	287860	Lockwasher	1	1
12	292682	Hydraulic Pump	1	1
13		Figure 5-3	8	8
14	2021345	Gasket	1	1
15	214364	Bolt	1	1
16	296418	Washer	1	1
17	2021388	Temperature Switch	1	1
18	2021389	Breather	9	9
19	2021383	Dipstick	9	9
20	292515	Bolt	2	2
21	136692	Nut	3	3
22	292527	Bolt	3	2
23	292531	Capscrew	4	4
24	292583	Lockwasher	4	4
25	293637	Bolt	4	4
26	296420	Washer	1	1
	996403	Transmission Kit (Includes Item 7)	1	1
	996405	Transmission Kit (Includes Item 14)	1	1

This Parts Manual is divided into 11 major sections which are listed above. Quick be made by placing the right thumb on the tab of the desired section, bending the pages to the corresponding tab.

© Copy Right Date HYSTER COMPANY See Service Manual for service procedures. 5-15

HOW TO FIND THE DESIRED PART NUMBER

WHEN THE PART NUMBER AND THE NEXT HIGHER ASSEMBLY IS NOT KNOWN:

1. Determine the function and application of the part required. Turn to the Sections Page. Choose the general area of reference most likely to include the part.
2. Turn to the section you chose. Use the Section Table of Contents to determine the assembly which would normally contain the part required. Then locate the part on the assembly breakdown page.

WHEN THE PART NUMBER IS NOT KNOWN AND THE NEXT HIGHER ASSEMBLY IS KNOWN:

3. Determine the assembly the required part is used on. Turn to the Table of Contents (Page i).
4. Locate the assembly the required part is used on and turn to the page indicated for that assembly. Then locate the part on the assembly breakdown page.

WHEN THE PART NUMBER IS KNOWN:

5. Use the Numerical Index (Page 14-1) to find the part number. Turn to the page listed and locate the part as indicated by the item number.

GENERAL:

The assembly breakdowns include part numbers, descriptions, quantities required, keys and footnotes to help in selecting correct parts.

6. Parts Supersession Information. Part numbers that have this history will be displayed in the parts list in the order that they were superseded (from oldest to newest). The superseded part numbers will be shown with a line through them.

Five periods in the PART NO. column (.) indicate that the part is either *Not Serviced Separately* or there is a reference to another figure. A figure reference is denoted by a pointing hand followed by a figure number in the DESCRIPTION column (☞ Figure 10)

7. Keys are used to show two or more similar assemblies, RH and LH assembly parts, etc. Select the appropriate key, "A", "B", "C", "D", or "E" and the corresponding quantity column to find the required parts. Two periods in the QTY column (..) indicate that the part is not used for that assembly.
8. Indented descriptions under the DESCRIPTION column are used to indicate assemblies and

subparts of assemblies. In the example on the previous page, *BEARING CAP* (Item 2) is a subpart of the major assembly *CASE*.

9. Quantities shown are for one assembly. The quantities of the subpart *BEARING CAP* are indicated as two and two. This means two per *CASE* assembly.
10. Serial number breaks identify the most current parts information and are shown as follows:
 - **S/N D001H2628**
Indicates last serial number affected.
 - S/N D001H2629** →
Indicates the first serial number affected.
 - S/N D001H1553** ↔ **S/N D001H3291**
Indicates a range of serial numbers affected.

ECN numbers for pending serial numbers are shown to allow for the inclusion of the most current parts information and are identified as follows:

- **S/N Pending Per ECN 63243**
Indicates a pending serial number for last unit affected.
- S/N Pending Per ECN 63243** →
Indicates a pending serial number for first unit affected.

Date breaks are used to indicate when a change occurred but a subsequent serial number break was not recorded. This is an arbitrary date usually based on the ECN release and are identified as follows:

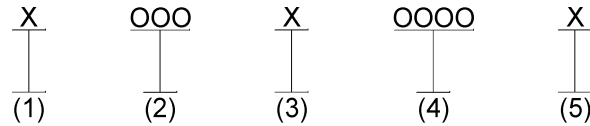
- **D/B 3/00**
Indicates that a change occurred sometime within that month for the item affected.
- D/B 3/00** →
Indicates that a change occurred sometime within that month for the item affected.
- D/B 3/00** ↔ **D/B 4/00**
Indicates a range of production dates of the item affected.

Contact your local dealer for Hyster lift trucks for serial number information for items with a ECN or a date break.

ORDERING PARTS:

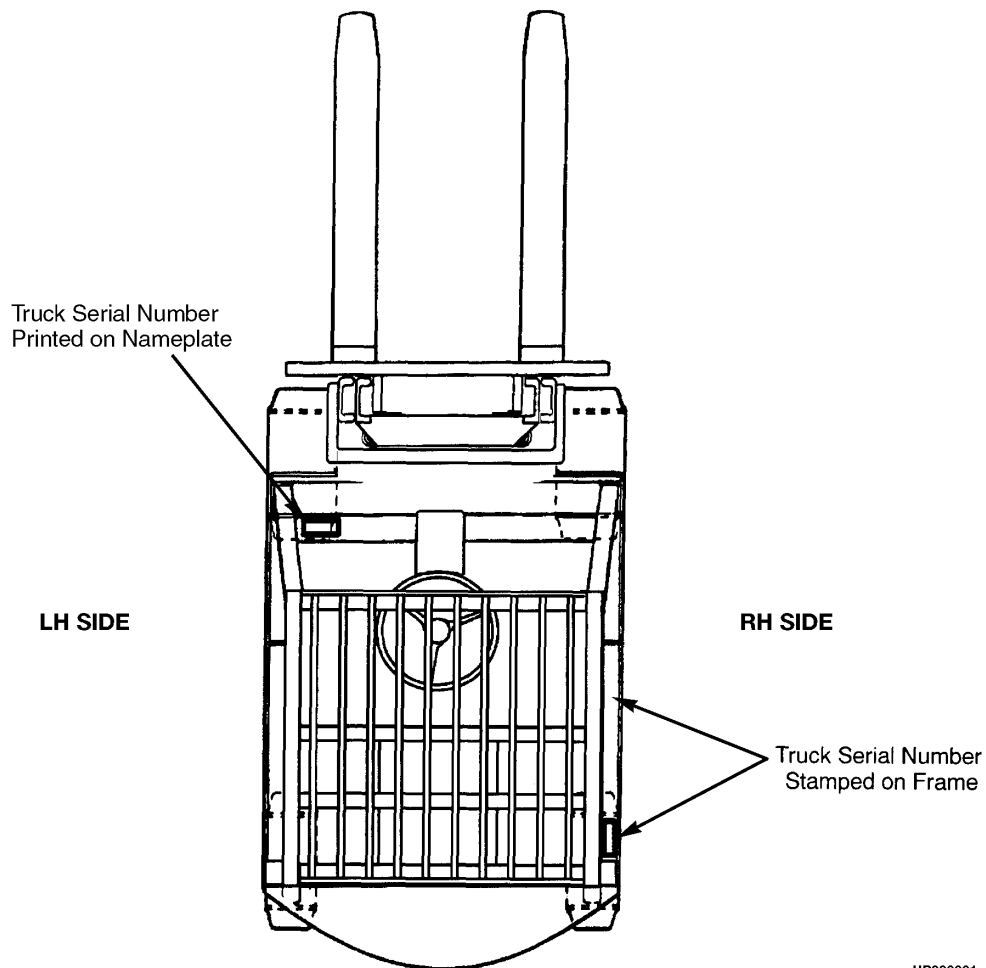
When ordering replacement parts, give the unit serial number, part number, name of part and quantity required.

For any further information on parts, service, or ordering, consult your local dealer for Hyster lift trucks.

IDENTIFICATION OF TRUCK SERIAL NUMBERS

- (1) and (2) The first letter and three numbers indicate the truck unit code.
- (3) The second letter indicates the plant of manufacture.
- (4) The four or five digit number indicates the production sequence number of the truck.
- (5) The final letter indicates the year of manufacture starting with "A" in 1957, 1980, and 2003.
The letters "I", "O", and "Q" will not be used.

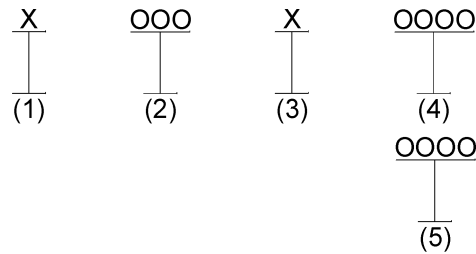
For pending serial numbers contact your local dealer for Hyster lift trucks.



HP990001

Parts referred to in this book as right or left hand parts are in accordance with the illustration above.

IDENTIFICATION OF MAST SERIAL NUMBERS



- (1) and (2) The first letter and number indicates the mast unit code.
- (3) The second letter indicates the plant of manufacture.
- (4) The four or five digit number indicates the production sequence number of the mast.
- (5) Carriage travel in millimeters stamped just below the serial number.

Mast Group identification consists of mast unit code (1) and (2) plus carriage travel (5).

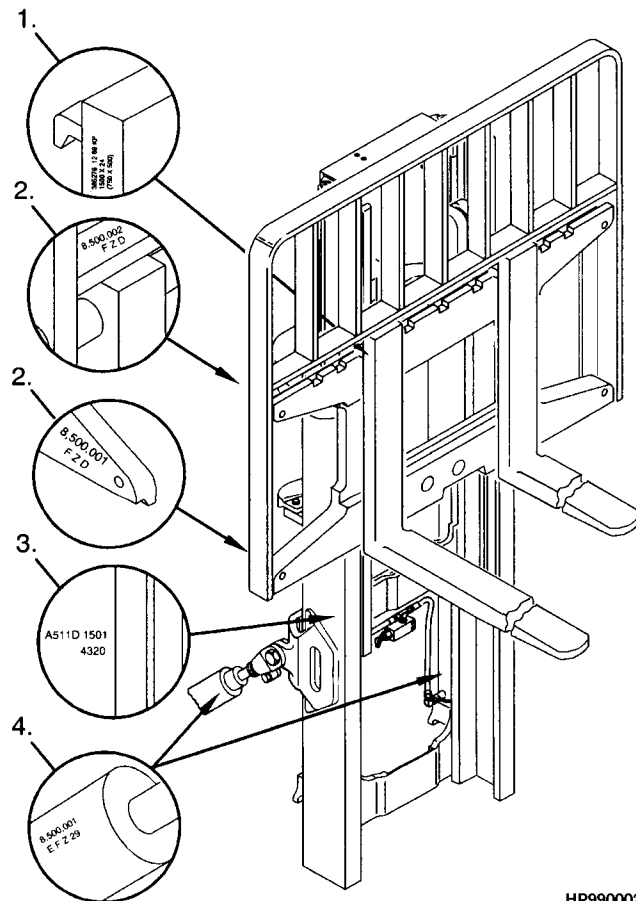
For pending production sequence numbers contact your local dealer for Hyster lift trucks.

LIFT EQUIPMENT IDENTIFICATION

1. Fork part number, capacity rating, plant code letter, and date of manufacture are stamped approximately six inches below the top of most forks.
2. The carriage group number is stamped on the right hand side of the top crossmember (pin type) or on the back of the right hand end of the bottom crossmember (hook type). A date code has two letters in line with or below the carriage group number.
3. The mast identification number has a unit code, a letter indicating the plant of manufacture, and a serial number. Underneath the production sequence number is a four digit number that indicates the carriage travel in millimeters.
4. Tilt and lift cylinder group numbers are stamped on the cylinder shell.

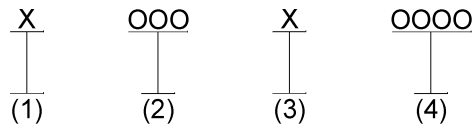
Always refer to the group, serial, or part number when ordering service parts.

Modification of masts and carriages by SPED (Special Products Engineering Department) are identified by a model prefix code beginning with the letter "S". contact your dealer for Hyster lift trucks for information on these assemblies.

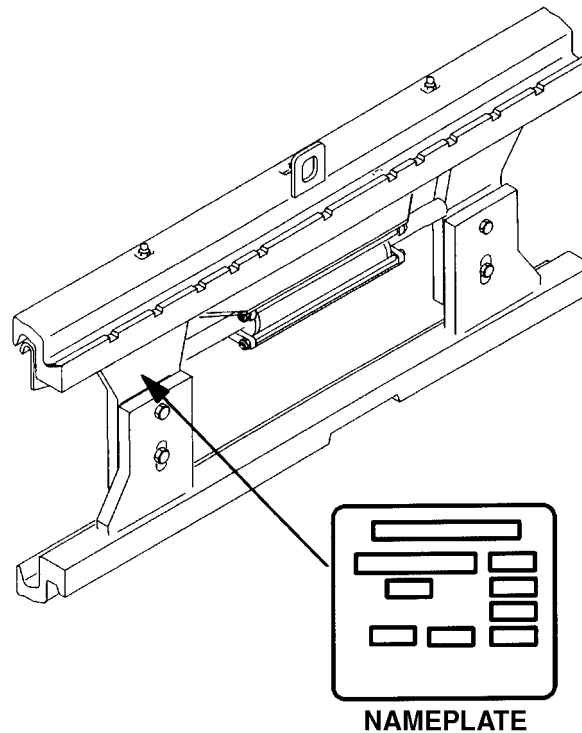


HP990002

IDENTIFICATION OF ATTACHMENT AND SIDE-SHIFT CARRIAGE SERIAL NUMBERS



- (1) and (2) The first letter and three numbers indicate the attachment unit code.
- (3) The second letter indicates the plant of manufacture.
- (4) The four or five digit number indicates the production sequence number.
- For pending production sequence numbers contact your local dealer for Hyster lift trucks.



HP990003

Side-shift carriages and attachments have nameplates. Use the serial number found on the nameplate to identify the attachment.

Always refer to the group, serial, or part number when ordering service parts.

Modifications of attachments and side-shift carriages by SPED (Special Products Engineering Department) are identified by a model prefix code beginning with the letter "S". Contact your dealer for Hyster lift trucks for information on these assemblies.